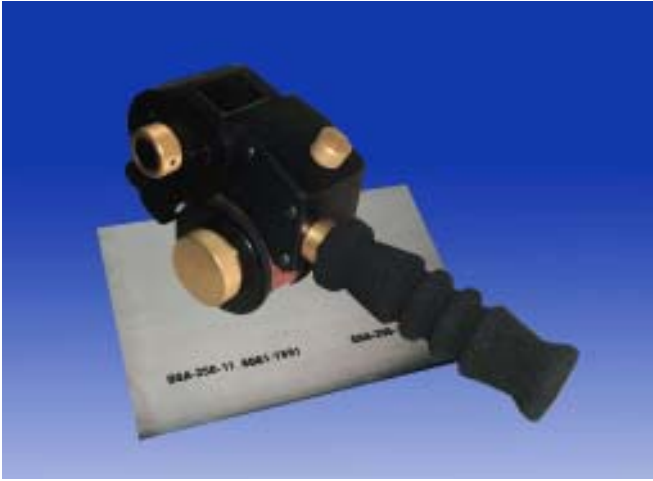


AMERICAN MARKING, INC.

Technical Bulletin

Non-Porous Hand Printer

U.S. PATENT NO. 5,109,769 E.P. PATENT NO. 0508971

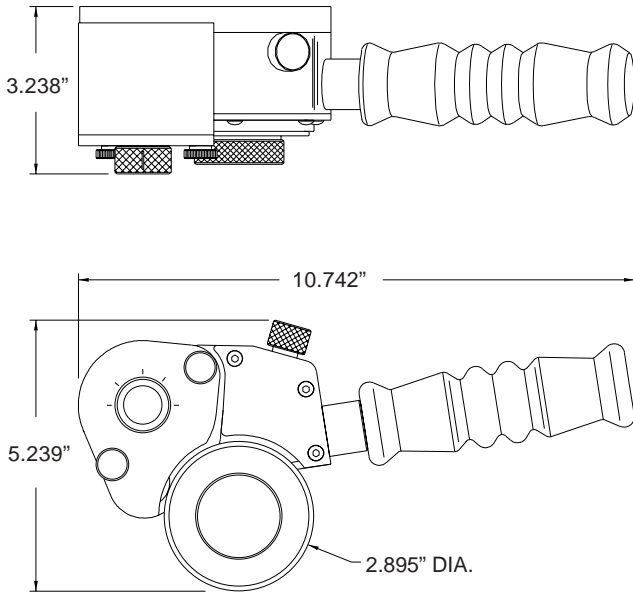


Universal's new Non-Porous Hand Printer fills the requirement for a portable, hand held roll coder designed for marking on metal, plastic, glass, rubber and other materials that require fast drying solvent based inks

This unit utilizes the unique technology of our patented Non-Porous Inking System. This system effectively prevents the evaporation of solvents from the enclosed ink roll and allows the usage of inks that dry as fast as 2 seconds at 75 degree F. ambient temperatures.

The print drum's cam indexing mechanism provides for accurate print registration on smaller parts or the unit can be used in a non-indexing, continuous print mode for printing long lengths of material such as metal sheets.

Universal's patented Non-Porous Inking System design utilizes both an ink roll and an engraved anilox roll to apply ink to the rubber printing dies. Both rolls are mounted in a tightly sealed aluminum housing which effectively prevents solvent evaporation from the ink roll during use. Precision machined from aircraft grade aluminum alloy, this coder is designed for "industrial duty" applications.



FEATURES

- Precision machined anodized aluminum construction
- Sealed ball bearings for smooth print drum rotation
- Comfortable foam grip handle
- Easily removable print drum simplifies type setting
- Indexing or continuous print without modification

SPECIFICATIONS

HPNP-100 Indexing Model
HPNP-100NI Non-Indexing Model
Print Drum Circumference: 9.1" (227 mm)
Maximum Print Width: 1.0" (25 mm)
Die System: Universal Ribtype
Weight: 2 Lbs - 12.5 Oz. (1.26 Kg)

These coders are ideal for printing alloy specifications on metal flat bar and sheet materials or printing lot numbers, date codes or product identification information on any flat, non-porous surface. The high quality impressions are both weather proof and fade resistant and can be applied at rates much faster than stenciling or conventional hand stamping.

The HPNP Hand Printers are supplied with one of Universal's new disposable Type MT Black Ink Rolls. For maximum versatility, the inking system also accommodates re-inkable XF Neoprene Ink Rolls. Ribtype rubber type and/or logo dies are sold separately.

BIRMINGHAM
CORPORATE OFFICE:
VOICE: 800.964.6275
FAX: 205.733.1720
americanmarking@aol.com

AMERICAN MARKING, INC.
2435 VALE DRIVE
BIRMINGHAM, AL 35244
www.americanmarking.com

CHATTANOOGA
REGIONAL SALES OFFICE:
VOICE: 800.685-6275
FAX: 423-843-0535
gary@americanmarking.com